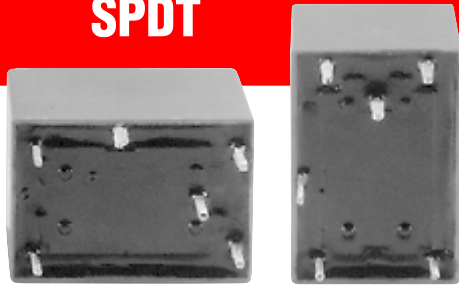


SKV

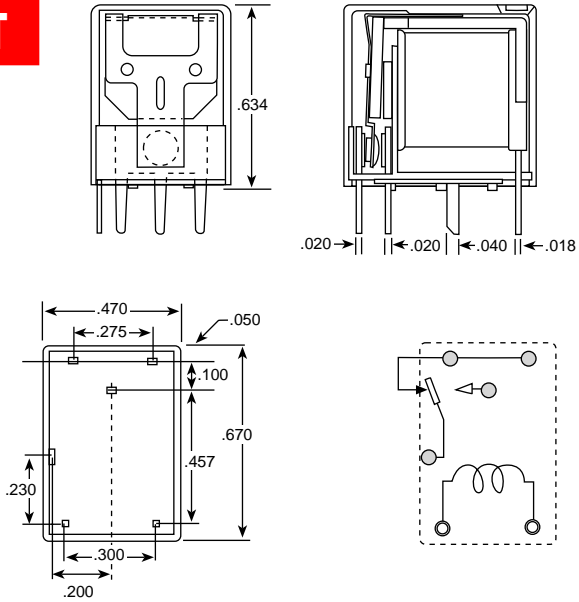
SPDT



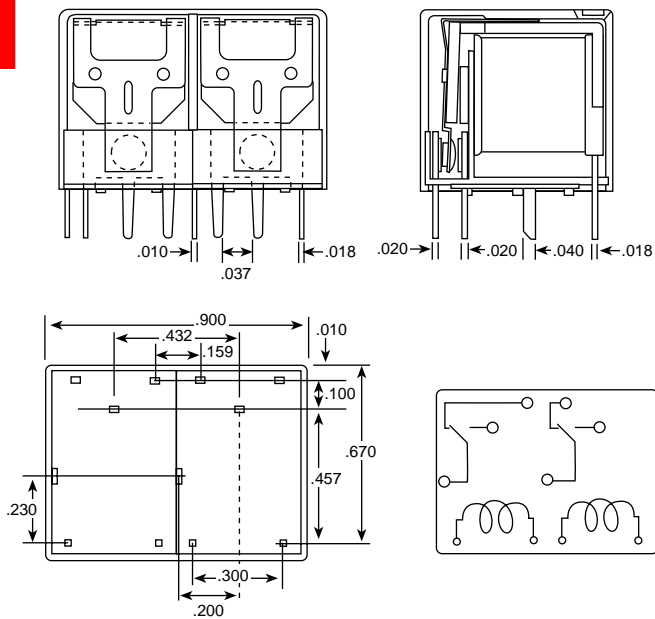
DPDT



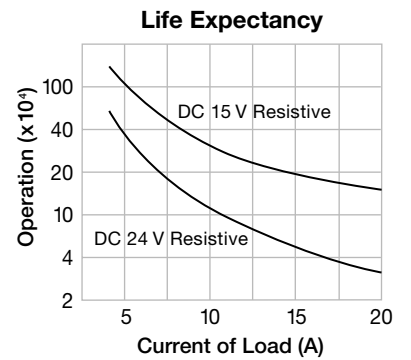
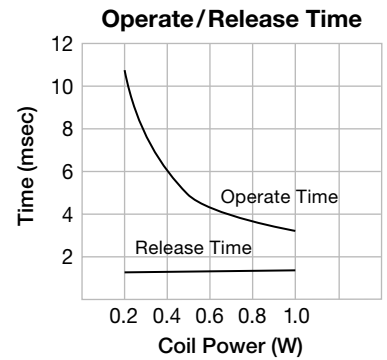
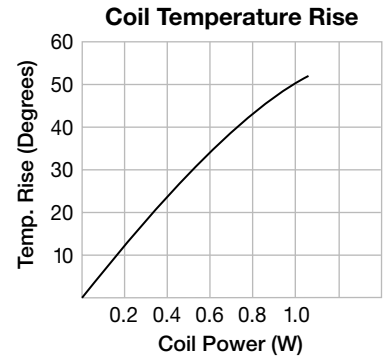
SPDT



DPDT



Reference Data



SKV

Performance (At Initial Value)

ITEM	TYPE
	1 Pole / 2 Pole
Contact Resistance	50 mΩ Max.
Operate Time	10 msec Max.
Release Time	5 msec Max.
Dielectric Strength: Between Coil and Contact Between Contacts	AC 500 V, 50/60 Hz (1 minute) AC 1000 V, 50/60 Hz (1 minute)
Surge Resistance	2000 V (between coil and contacts 1x40 μ sec.)
Insulation Resistance	100 MΩ Min. (500 VDC)
Max. ON/OFF Switching: Mechanically Electrically	300 operations/min. 30 operations/min.
Operating Ambient Temperature	-25°C to +80°C (no condensation)
Operating Humidity	45% to 85% R.H.
Coil Temperature Rise	60° Max. (at rated voltage)
Vibration: Endurance Error Operation	10 to 55 Hz Dual Amplitude 1.5 mm 10 to 55 Hz Dual Amplitude 1.5 mm
Shock: Endurance Error Operation	100 G Min. 10 G Min.
Life Expectancy: Mechanically Electrically	10,000,000 operations/min. 100,000 operations/min.
Weight	SPDT 7.6 grams / DPDT 15 grams

Coil Specification (At 20°C)

TYPE	Nominal Voltage (VDC)	Nominal Current (mA) 50 Hz	Coil Resistance (Ω) ±10%	Power Consumption (W)	Pull-In Voltage (VDC)	Drop-Out Voltage (VDC)	Max. Allowable Voltage (VDC)
DC Coil	5	91	55	0.45	75% Max.	5% Min.	150% but for short time carrying current
	6	75	80				
	9	50	180				
	12	38	320				
	18	25	720				
	24	19	1280				

Contact Rating

ITEM	TYPE
	1 Pole / 2 Pole
Contact Capacity Resistive Load (Cos. φ = 1)	DC 15 V 15 A N.O. DC 15 V 6 A N.O. DC 24 V 10 A N.O. DC 24 V 4 A N.O.
Inductive Load (Cos. φ = 0.4 L/R = 7 msec.)	DC 15 V 10 A N.C. DC 15 V 4 A N.C. DC 24 V 7 A N.C. DC 24 V 3 A N.C.
Rated Carrying Current	20 A
Max. Allowable Voltage	DC 30 V
Max. Allowable Current	20 A
Max. Allowable Power Force	240 W
Referential Min. Applicable Load	DC 50 V 10 mA
Contact Material	AgSnO2

Ordering Information

SKV 1C 12 VDC

Coil Voltage
See coil specifications for available voltages. Other voltages available as special orders.

Contact Configuration
1C – SPDT
2C – DPDT

UL #E96834(M) (U.S. & Canada)

C.S.A. #LR83798-1

