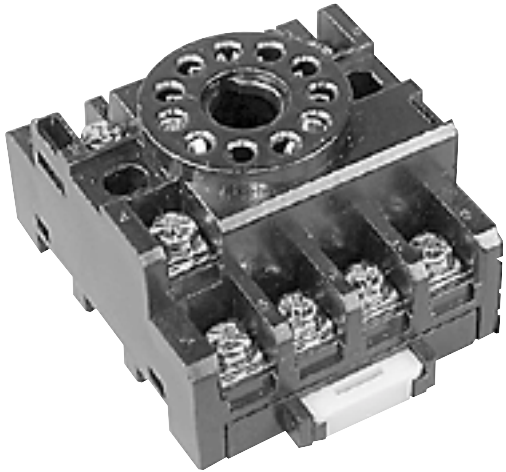


Model NDS-11*



UL #E72711 US & Canada



Type

Surface or DIN Rail Mount 11-Pin Octal 3PDT

Current Carrying Members

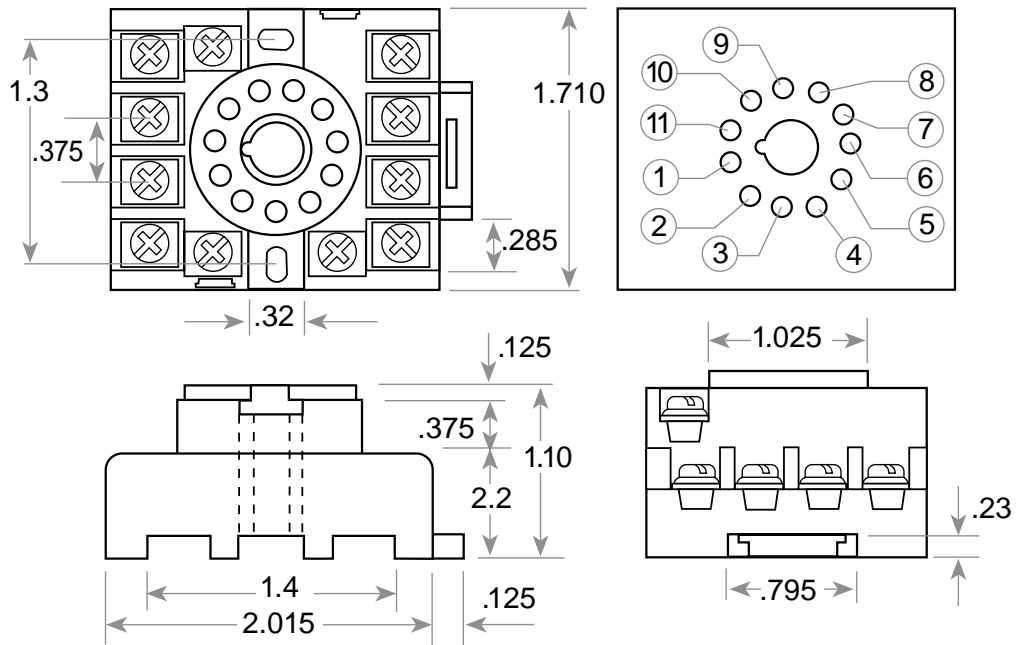
Phosphor Bronze Nickel Plated Steel

Terminals

Screw with Captive Wire Clamps

Electrical Rating

10A, 300 VAC



*Break-resistant Polycarbonate or Glass-filled Nylon

