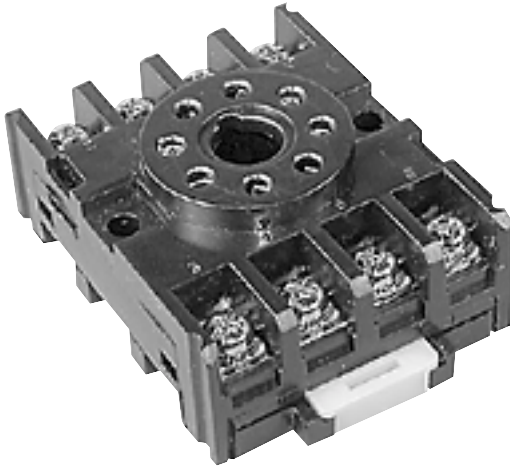


# Model NDS-8\*



UL #E72711 US & Canada



### Type

Surface or DIN Rail Mount

### Current Carrying Members

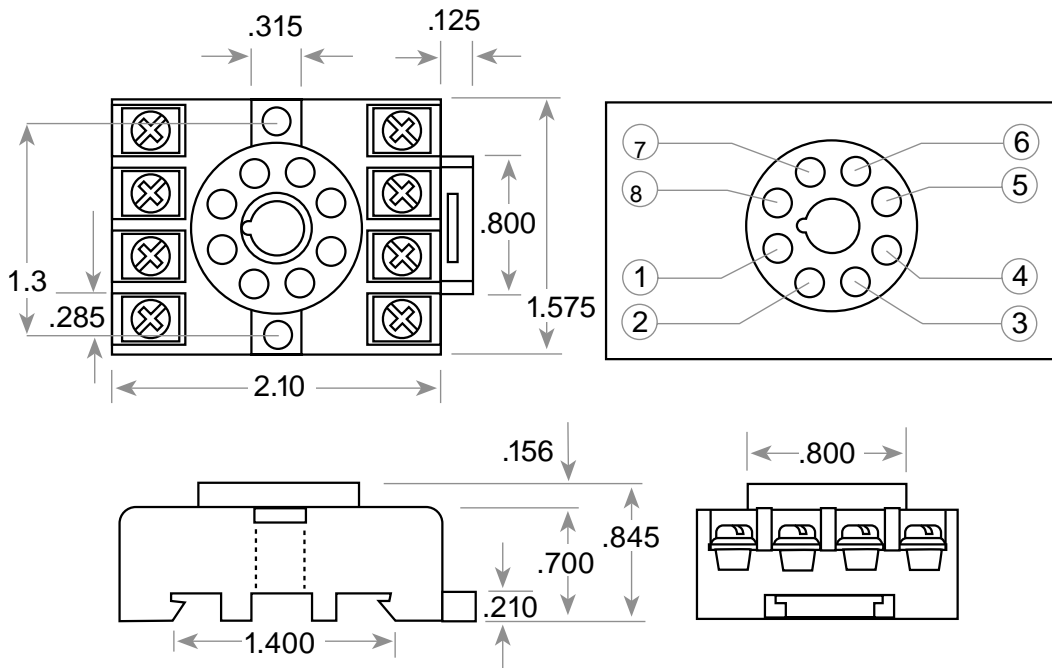
Phosphor Bronze Nickel Plated Steel

### Terminals

Screw with Captive Wire Clamps

### Electrical Rating

10A, 300VAC



\*Break-resistant Polycarbonate or Glass-filled Nylon

