



Model SPB-14*

UL #E72711 US & Canada

Type

Printed-Circuit Mount for Miniature 4PDT Relay

Current Carrying Members

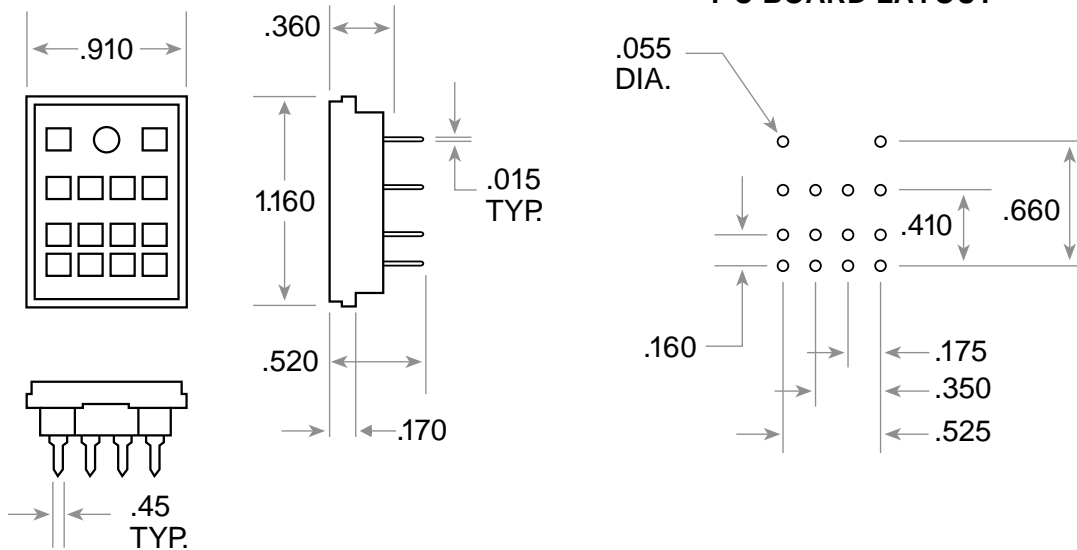
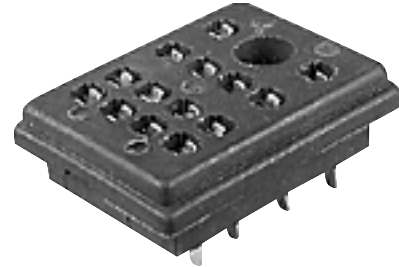
Phosphor Bronze Nickel Plated Steel

Terminals

Plug-in

Electrical Rating

7A, 300VAC



*Break-resistant Polycarbonate or Glass-filled Nylon

